

EP1G42□□□

- Plastic casing
- IP67
- Pre-wired

30mm width

Metal roller lever Ø14

Electrical connection exit

Null = Right; C = Central; L = Left

Electrical connections

U = UL cable standard 4x0.75; L=1+12m

M = M12 connector

A = AMP connector

Z = Snap action contacts (1NO + 1NC)

X = Non overlapping slow action contacts (1NO + 1NC)

Codes for different cable length

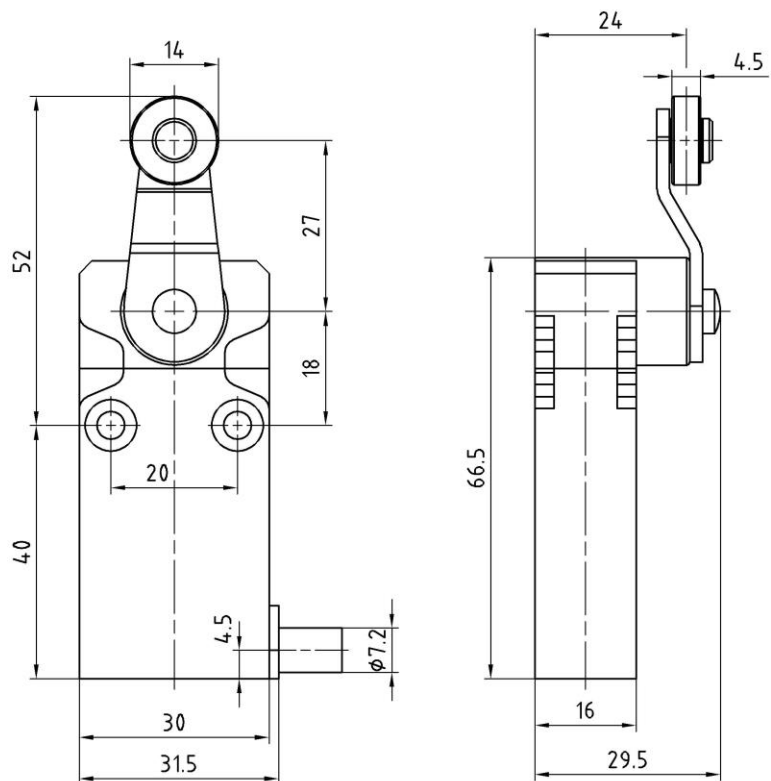
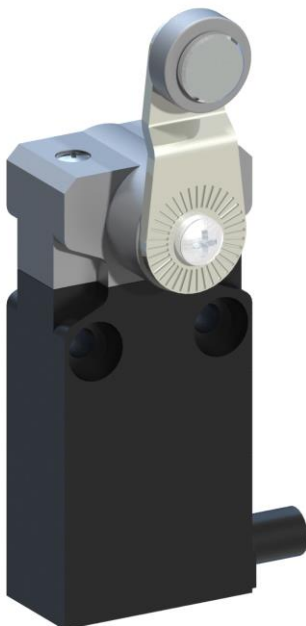
Null = 1m	020 = 2m	030 = 3m
040 = 4m	050 = 5m	060 = 6m
070 = 7m	080 = 8m	090 = 9m
100 = 10m	120 = 12m	

EP1G42Z□□□□

U = Cable UL standard 4x0.75; L=1+12m

Example 1m cable = EP1G42ZU

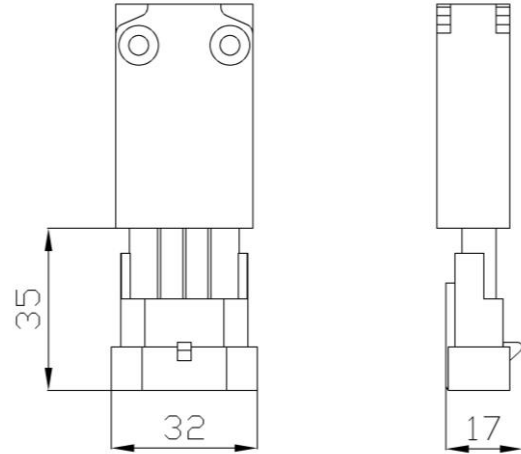
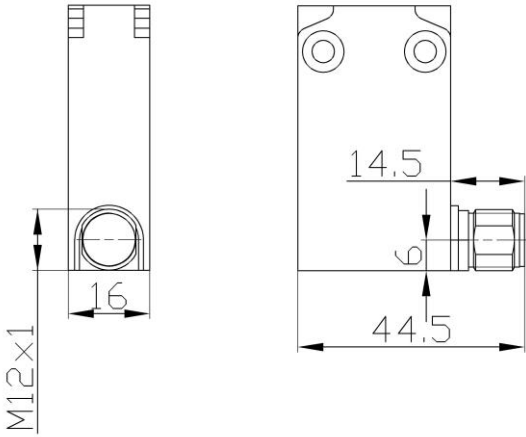
Example 2m cable = EP1G42Z020U



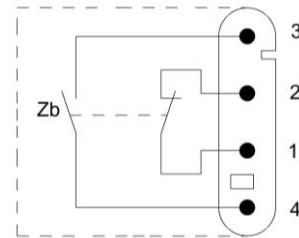
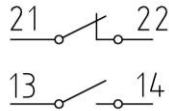
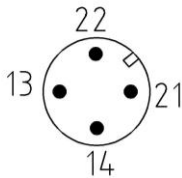
Version with M12 connector



Version with AMP connector



1NO + 1NC



Operating diagrams

<p>z</p>		<p>0 21° 32° 65° 74°</p>	<p>Positive opening operations according to IEC 60947-5-1</p>
<p>x</p>		<p>0 28° 50° 74°</p>	<p>Positive opening operations according to IEC 60947-5-1</p>

General Technical Data

			Plastic casing
Standards	Device conforms to IEC 60947-5-1 and EN 60947-5-1		
Operating temperature			
– During operations	°C		– 25 ... + 70
– For storage	°C		– 40 ... + 70
Protection against electrical shocks (according to IEC 61140)	Class II		
Protection degree (according to IEC 60529 and EN 60529)	IP67		
Protection degree (according to UL 50)	Type 1 enclosure ("indoor use only")		
Rated insulation voltage U_i	400 V (pollution degree 3) (250V for M12 and AMP connector) B300, R300		
– according to IEC 60947-1 and EN 60947-1			
– according to UL 508 and CSA C22-2 n° 14			
Conventional free air thermal current I_{th}	A		10 (4A for M12 connector)
(According to IEC 60947-5-1 and EN 60947-5-1) $\theta < 40^\circ\text{C}$			
Short-circuit protection	A		10 (4A for M12 connector)
$U_e < 500\text{V a.c.}$ – gG (gl) type fuses			
Rated operational current			
I_e / AC-15 (according to IEC 60947-5-1)	24V - 50/60 Hz	A	10 (4A for M12 connector)
	120V - 50/60 Hz	A	6 (4A for M12 connector)
	240V - 50/60 Hz	A	3
I_e / DC-13 (according to IEC 60947-5-1)	24V - d.c.	A	2.8
	125V - d.c.	A	0.55
	250V - d.c.	A	0.27
Switching frequency	Cycles/h		3600
Load factor			0.5
Resistance between contacts	m Ω		25
Mechanical durability	Millions of operations		10